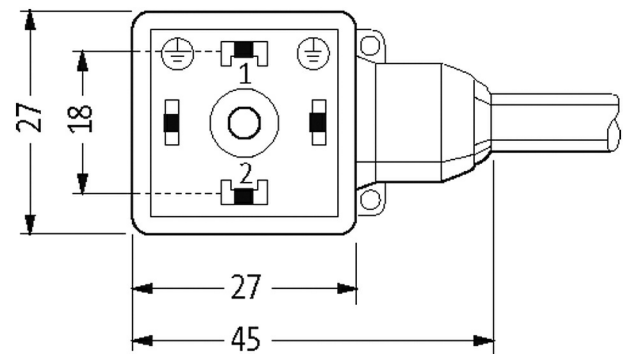


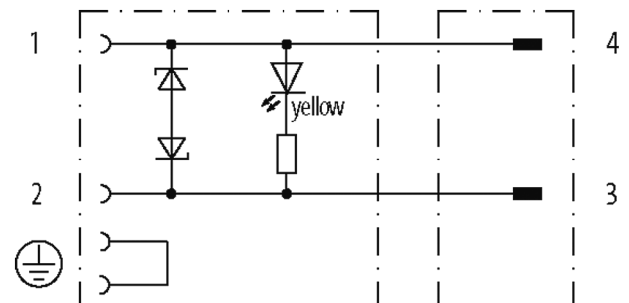
**M12 XTREME MALE 0° / MSUD VALVE PLUG FORM A 18MM**

PUR 2x0,75 black UL/CSA, drag ch 2.0m

Xtreme - Outdoor  
 Stainless steel 1.4305 (V2A)  
 MSUD  
 Form A (18 mm)  
 4-pole  
 Male M12  
 straight  
 2-pole  
 12...24 V AC/DC  
 Z-Diode + LED

[Link to Product](#)**Illustration**

Height: 30 mm



Product may differ from Image

**Approvals**

**Form**

Form 40881

**General data**

Standards DIN EN 61076-2-101 (M12)

Mounting method inserted, tightened

Material (contact) Copper alloy

Material (contact surface) MSUD (Ag); M12(Au)

Material (gasket) Silicon

**Cables**No./diameter of wires 2 × 0.75 mm<sup>2</sup>

Wire isolation PP (br, bl)

C-track properties 10 Mio.

Material (jacket) PUR (UL/CSA)

Outer Ø 5.0 mm ±5%

Bend radius (moving) 10 × outer Ø

Temperature range (fixed) -40...+80 °C

Temperature range (mobile) -25...+80 °C

Cable identification 754

Cable Type 3 (PUR)

Approval (cable) cURus (AWM-Style 20549/10493); CE conform

Cable weight [g/m] 40,70

Material (wire) Cu wire, bare

Resistor (core) max. 26 Ω/km (20 °C)

Single wire Ø (core) 0.15 mm

Construction (core) 42 × 0.15 mm (multi-strand wire class 6)

Diameter (core) 2 × 0.75 mm<sup>2</sup>

AWG similar to AWG 18

Material (wire isolation) PP

Material property (wire isolation) CFC-, halogen-, cadmium-, silicone- and lead-free

Shore hardness (wire isolation) 70 ±5 D

Wire-Ø incl. isolation 1.7 mm ±5%

Color/numbering of wires br, bl

Stranding combination 2 wires twisted

Shield no

Material (jacket) PUR

Material property (jacket) CFC-, halogen-, cadmium-, silicone- and lead-free, matt, low-adhesion, machine easy to process, abrasion-resistant, hydrolysis and microbial resistant

Shore hardness (jacket) 90 ±5 A

Outer-Ø (jacket) 5.0 mm ±5%

Color (jacket) black

chemical resistance good resistance to oil, gasoline and chemicals (EN 60811-404)

thermal resistance flame retardant UL 1581 VW1 / CSA FT1 / IEC 60332-1, IEC 60332-2-2

Nominal voltage 300 V AC

Test voltage 2500 V AC

Current load capacity	to DIN VDE 0298-4
Temperature range (fixed)	-40...+80 °C, (+90 °C at max. 10 000 operating hours)
Temperature range (mobile)	-25...+80 °C, (+90 °C at max. 10 000 operating hours)
Bend radius (fixed)	5× outer Ø
Bend radius (moving)	10× outer Ø
No. of bending cycles (C-track)	max. 10 Mio. (25 °C)
Travel speed (C-track)	max. 3 m/s
Acceleration (C-track)	max. 10 m/s <sup>2</sup>
Torsion stress	±180°/m
No. of torsion cycles	max. 2 Mio. (25 °C)
Torsion speed	35 cycles/min
Jacket Color	black

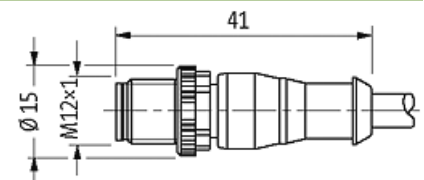
#### Technical Data

Operating voltage	12...24 V AC/DC
Rated surge voltage	0.8 kV
Operating current per contact	max. 4 A
No. of poles	MSUD (4); M12 (2)
Current consumption	8 mA
Material group	IEC 60664-1, category I
Switch off peak	max. 55 V
Coding	A-coded
LED display	yellow
Locking of ports	M3/M12×1 mm (recommended torque 0.4/0.6 Nm)
Compression gland	M12 (SW14)
Protection	IP65, IP66K, IP67, IP68 inserted and tightened (EN 60529)
Material	MSUD (PBT); M12 (PUR)
Locking material	Stainless steel 1.4305 (V2A)
suitable for corrugated tube (internal Ø)	10 mm
Housing	Black plastic (gray on request)
Additional suppressor	Diode/Z-Diode

#### Commercial data

country of origin	CZ
customs tariff number	85444290
EAN	4048879309264
eClass	27279218
Packaging unit	1

#### Sketch



Product may differ from Image